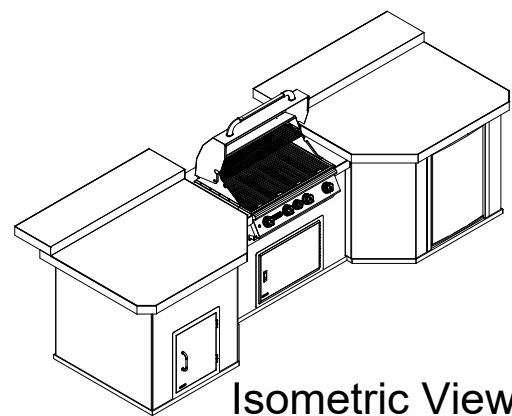
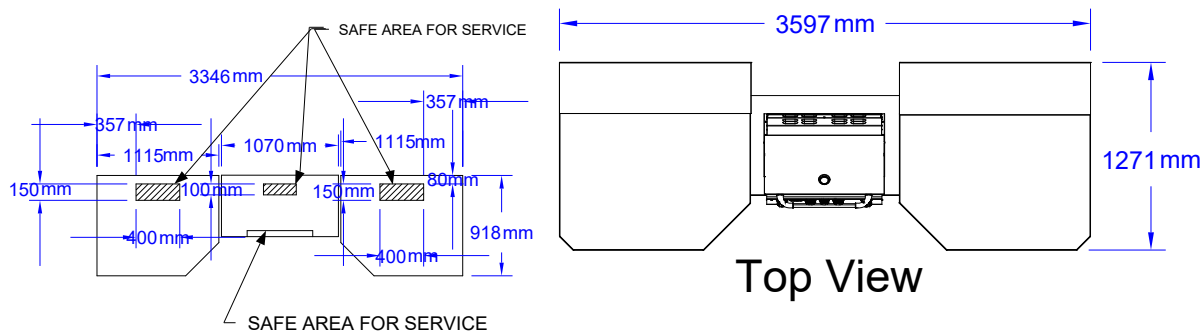


Mega Q



Isometric View

One of our newest and largest islands, the Mega Q Outdoor Island Kitchen is the ultimate grilling station.



Standard Features	Stucco #31083	Standard Features	Stucco #31083
Recommended Use.	Commercial / Residential	Upgrade S/Steel Lining with middle shelf for Above.	Vertical Door #LINVD / Double Door #LINDD76 Combos #LINC076
Grill Type as Standard.	Angus #47628CE / #47629CE	Upgradeable Drawers	Single Drawer #09970 / Large Drawer #09980 Double Drawer #56985 Gas Drawer #55712 / Trash Drawer 56925
Standard Fridge #11002.	✓	Single Drawer #09970 can fit only with #89970 when under a Grill.	
Stucco Base Standard.	✓	Optionals.	
Tile Top 30cm x 30cm with Bullnose Single Tone or 2-Tone.	✓	Grill Frame optional.	#49328
Horizontal Access Door with Lock & Key #89970	✓	Side Burner optional.	#60008 / #60009
Power outlet & Switch.	✓	Fridge optional.	#13700
Sink & Faucet Standard ✓ or N/A ✗	✗	Bar Caddy optional.	#85624
Structure Dimensions.		Cutting Board optional.	#66007
Base Footprint Size.	323 x 95 cm	Bottle Opener optional #66006.	✓
Top Size.	342 x 127 cm	Large vertical door option for gas bottle insertion from SIDE. No linings possible on face.	#89978 Left
Upgrades and Downgrades of Optional Grills within the same size kitchen structure. Brahma add 102MM to Base and Top.	Bison #67529 Lonestar #87048/9 Brahma #57568/9	Warranty Details.	
Upgrade Base Options	Stucco Rock #12397	Island Structure.	2 years
Upgrade from Tile Top To Solid Gres Coverlam and Stainless Steel Bullnose.	#43010	Kitchen Top.	2 years
Upgrade Stainless Steel Lining with middle shelf for #89970	#LINHD	Gas Flexible Hose.	*2 years
Upgradeable Doors Angus match Codes Only.	Vertical Door #89975 Double Door #33568 Door/Drawer Combo #25876 Trash/Door Combo #65784	*As per international Gas Safety Regulations.	*Must replace every 2 years.
		Packing Dimensions.	
		Wooden Crate Length.	146/146/126 cm
		Wooden Crate Width.	140/140/126 cm
		Wooden Crate Height.	203 cm
		Wooden Crate Cube.	10.57 cm
		Complete Crated Weight.	Stucco 830.00Kg