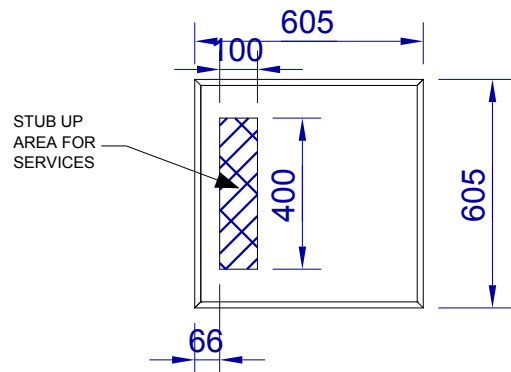
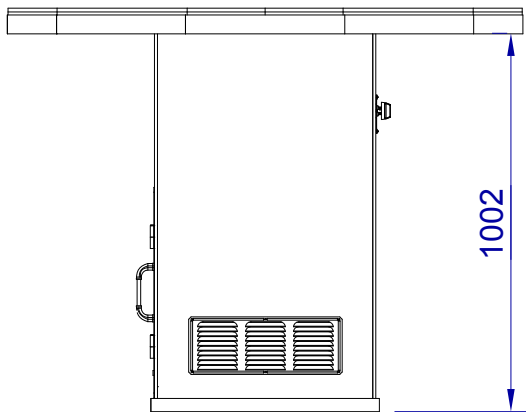
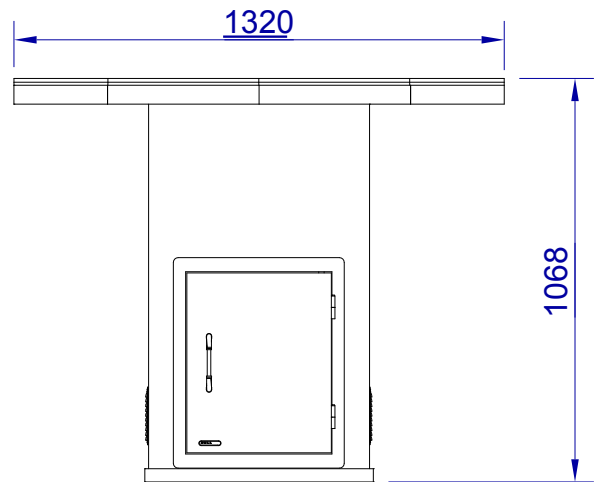
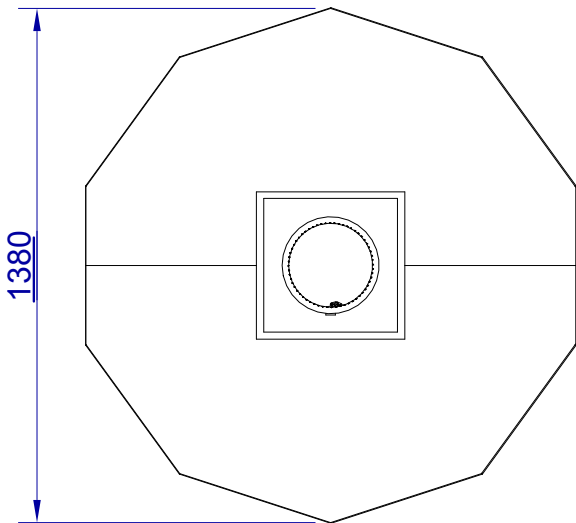
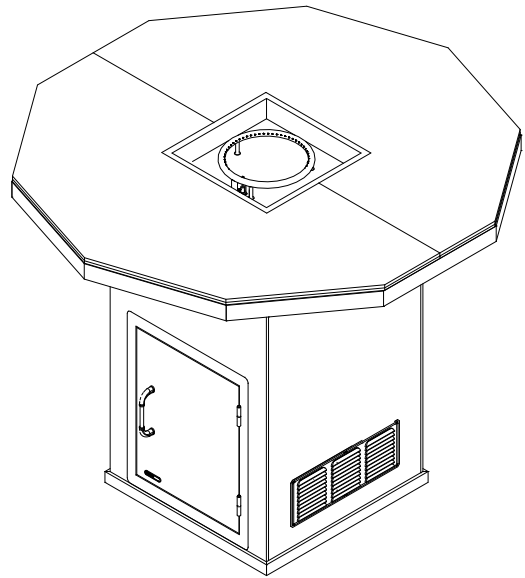


ITEM: #31071
DECAGON BAR
TABLE SPEC SHEET



NOTES:

ITEM: # 31071

1. FOR ROCK FINISHES, ADD 39mm ON ALL BASE SIDES.
2. 153mm MAX HEIGHT ON ALL STUB-UPS.
3. SCALE: 1 : 20 (Printer page scaling none, do not use fit to printable area option)
4. REVISION: 10/2018