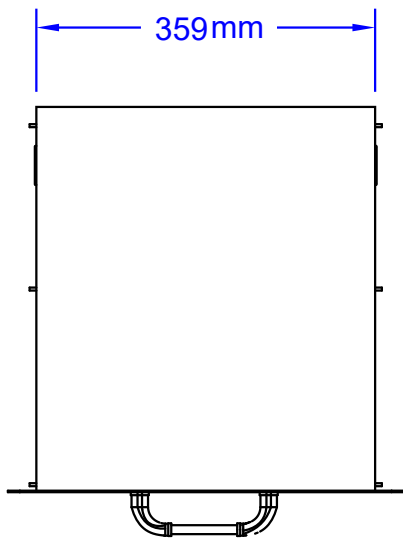
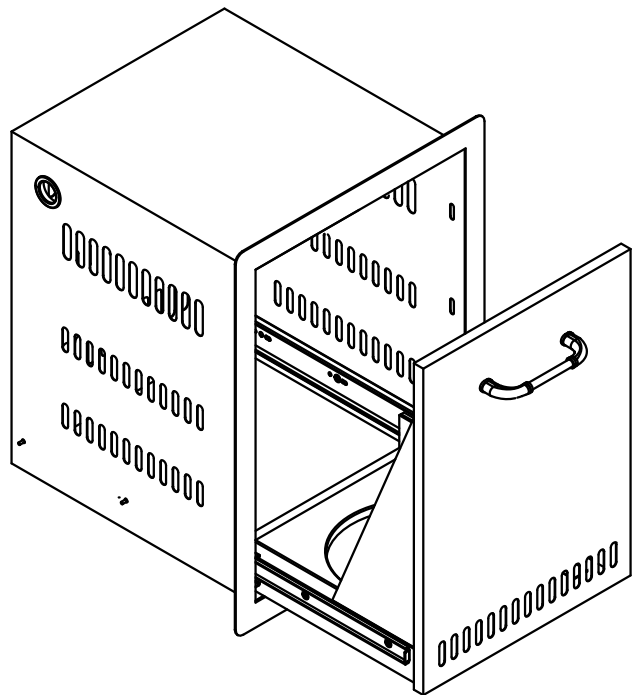




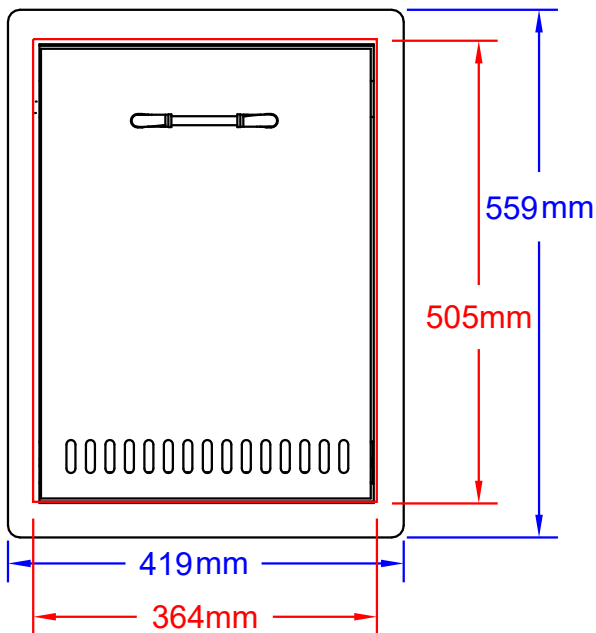
ITEMS: #56825
GAS TANK/TRASH DRWER



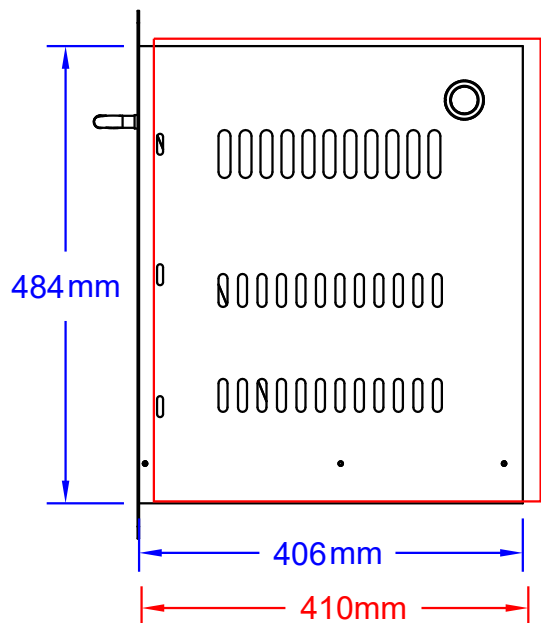
Top View



Isometric View



Front View



Side View

SPEC SHEET NOTES:

1. CUT DIMENSION 364L X 410D X 490H
2. SCALE: 1 : 8 (Printer page scaling none, do not use fit to printable area option)
3. REVISION: 08/2019