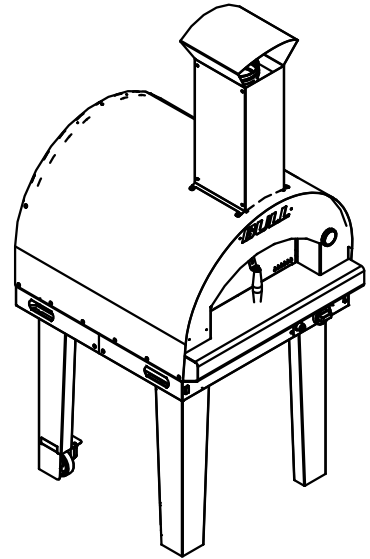
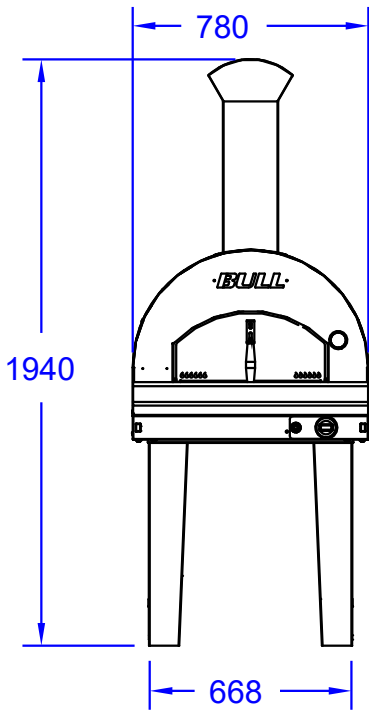




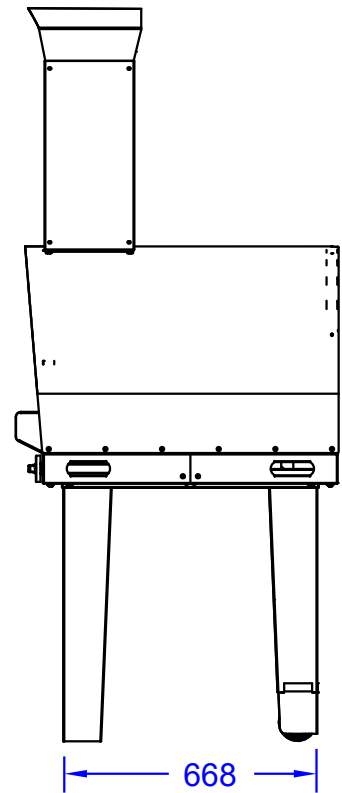
ITEMS: #66125CE  
**LARGE GAS FIRED  
 PIZZA OVEN  
 CART**  
 SPEC SHEET



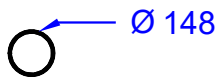
Isometric View



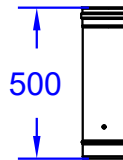
Front View



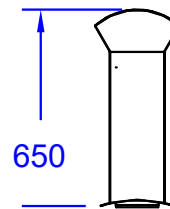
Side View



Chimney Top View



Chimney Duct



Chimney Cover with Hat

NOTES:

ITEM: 66125CE

1. DIMENSIONS IN MM

2. SCALE: 1 : 25 (Printer page scaling none, do not use fit to printable area option)

3. REVISION: 05/2019

**GAS SPECIFICATIONS:**

**NATURAL GAS (METANO) 20 mbar: 4 m<sup>3</sup>/hr 12,000 Kcal/hr = 14.0KW**

**LPG (Propane/Butane) 30 mbar: 2.00 l/hr 12,000 Kcal/hr = 14.0KW**