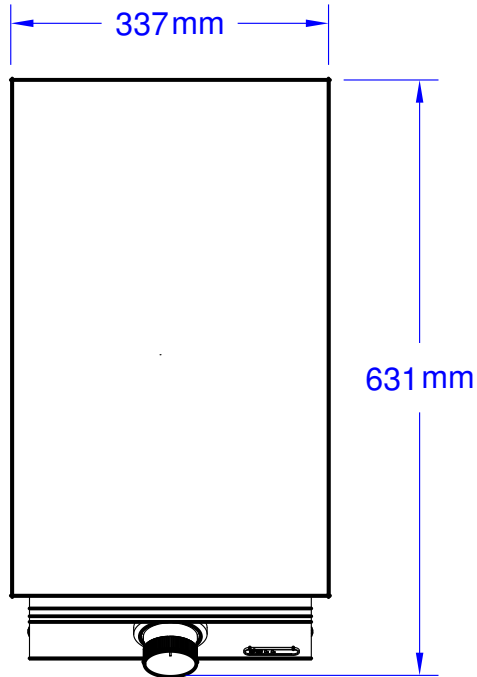
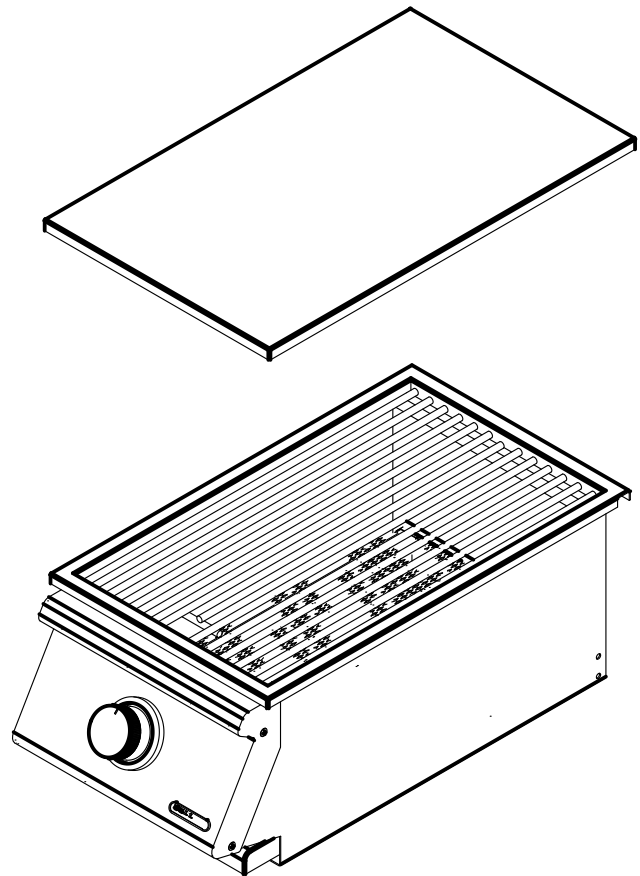




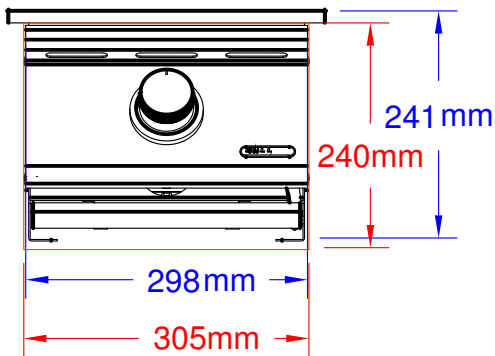
ITEMS: #94008CE LP, #94009CE
NG SEARING BURNER



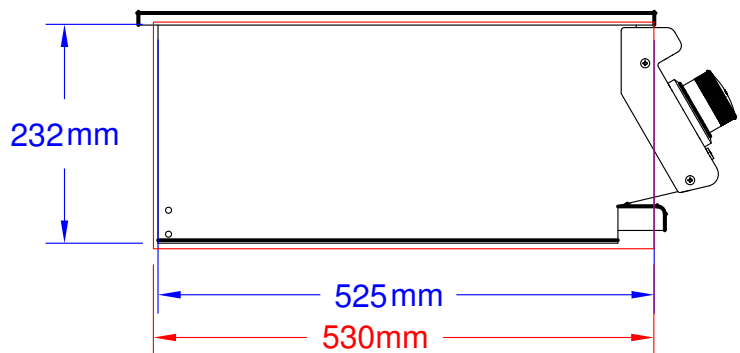
Top View



Isometric View



Front View



Side View

SPEC SHEET NOTES:

1. **CUTOUT DIMENSIONS : 305L X 530D X 240H**
2. SCALE: 1 : 8 (Printer page scaling none, do not use fit to printable area option)
3. REVISION: 10/2018